

HASSELBLAD



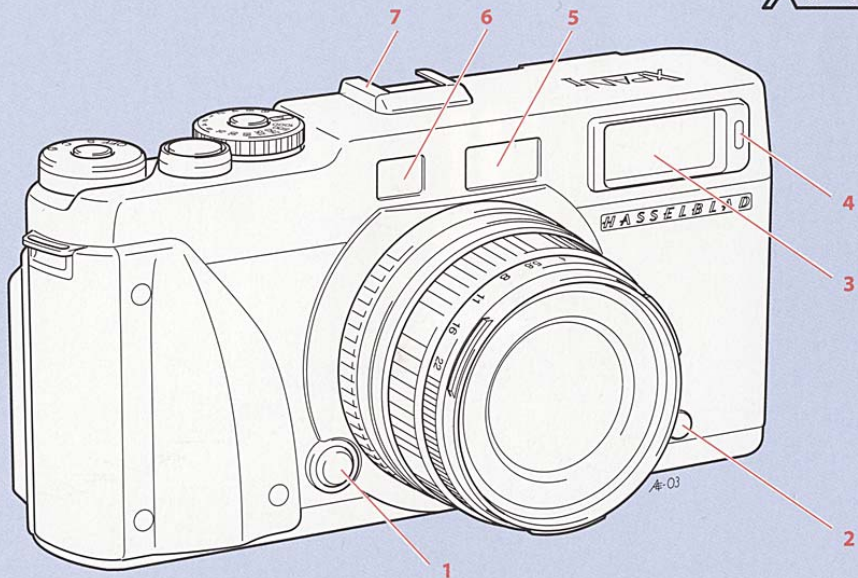
X-PAN II

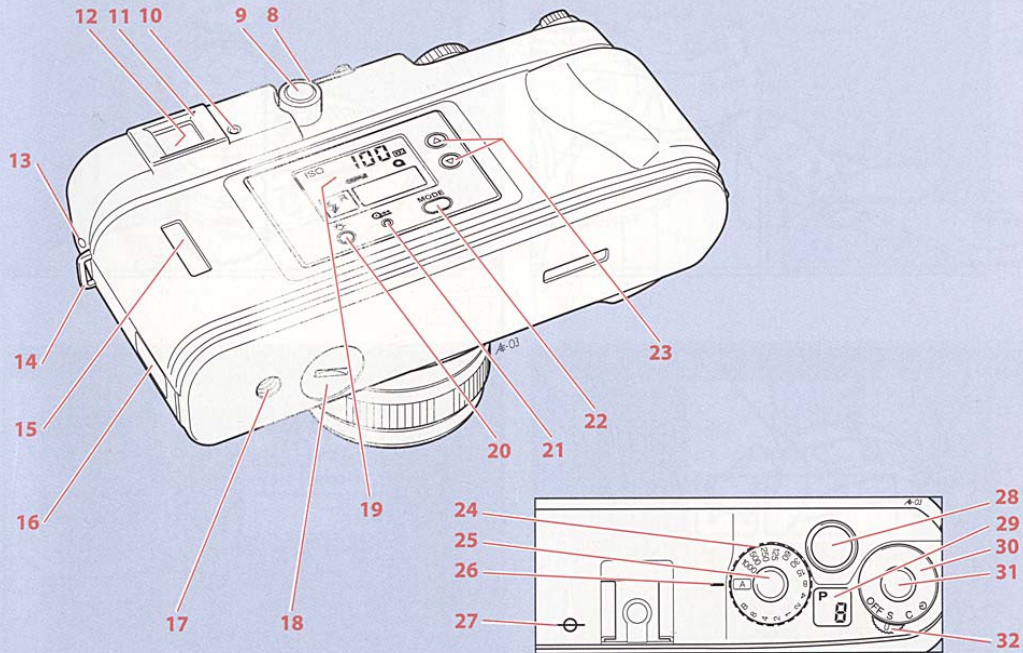
Instruction Manual
Gebrauchsanweisung
Brugsanvisning
Manual de Instruções
Käyttöohjekirja
Manual d'Instructions
Manuale d'Istruzioni
Gebruiksaanwijzing
Manual de Instruções
Bruksanvisning



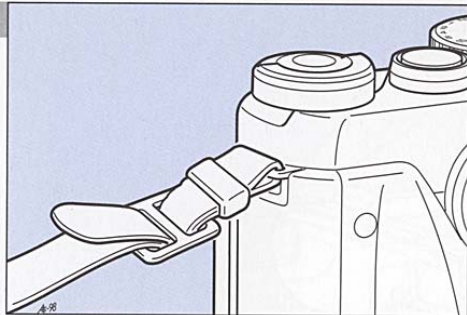
HASSELBLAD

XPAN II

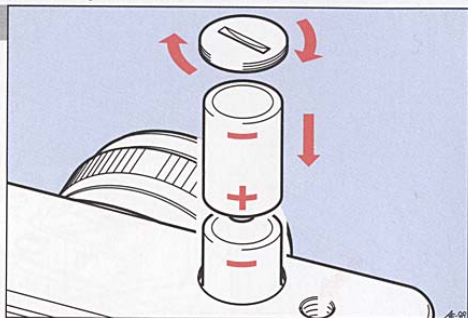




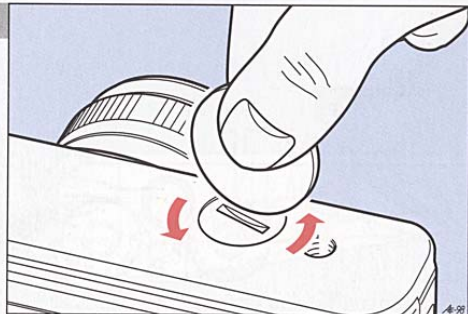
4



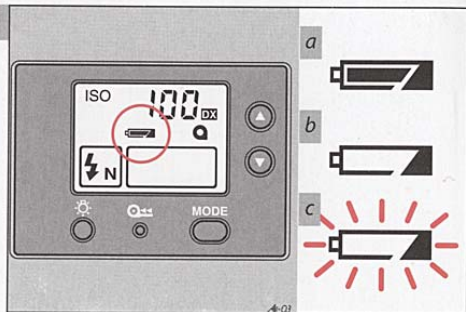
6

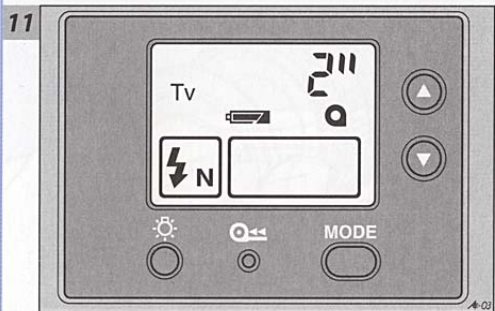
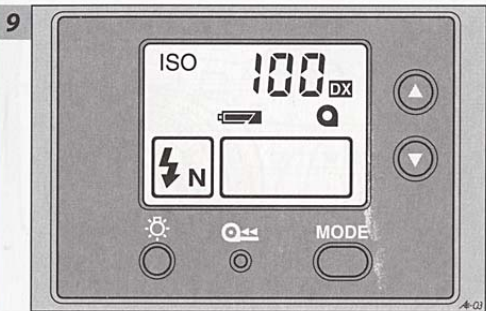
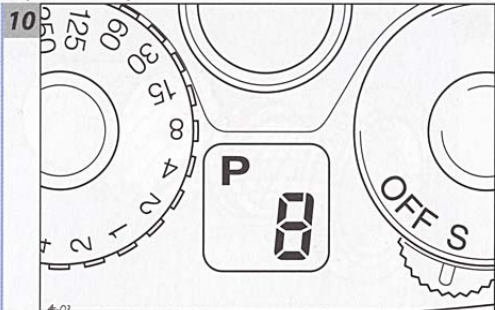
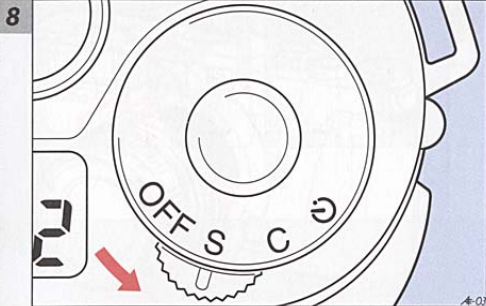


5

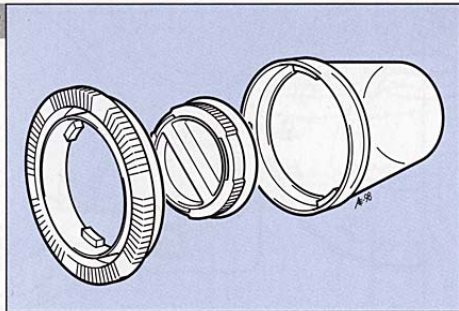


7

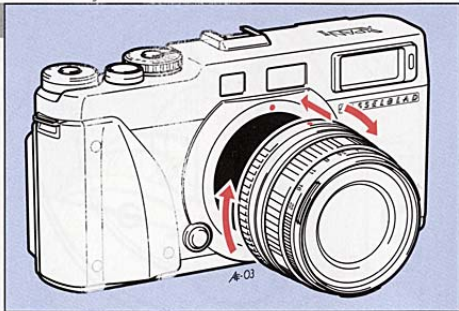




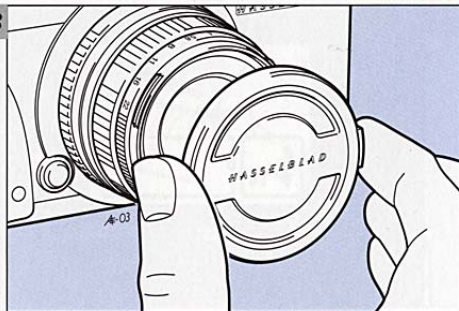
12



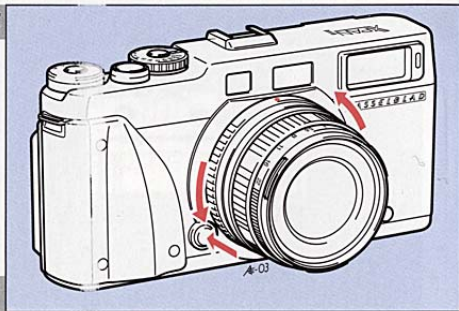
14

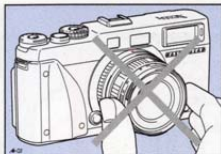


13



15



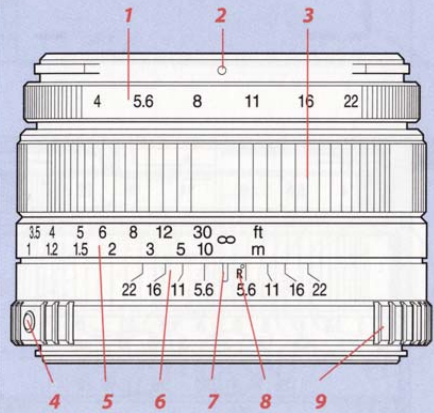


b

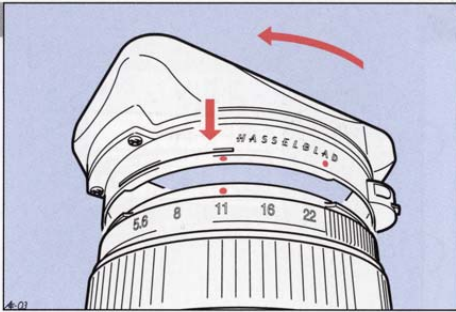


c

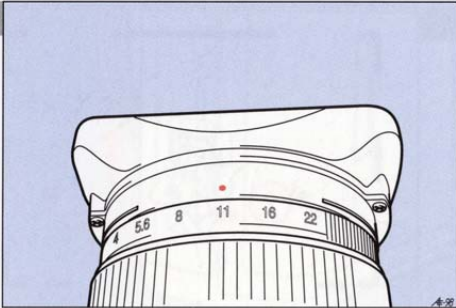
16



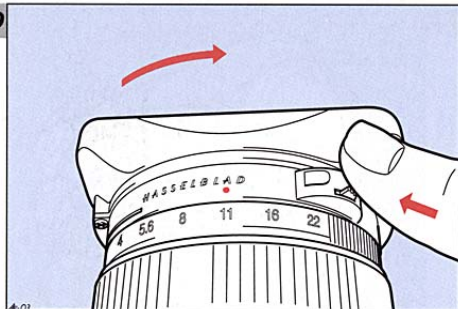
17



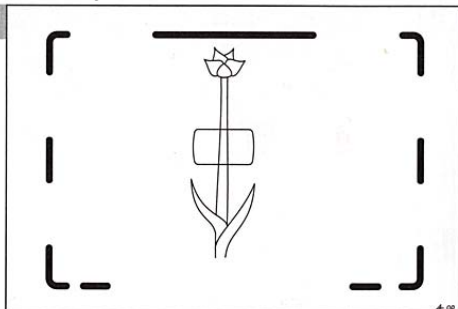
18



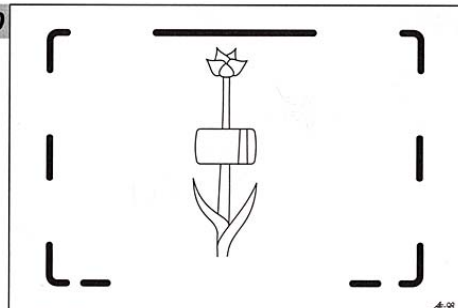
19



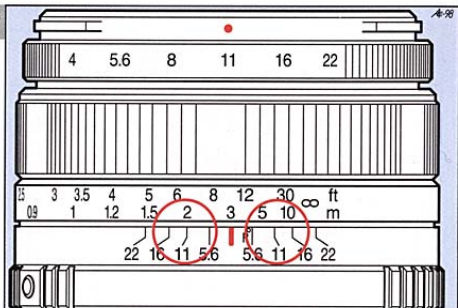
21



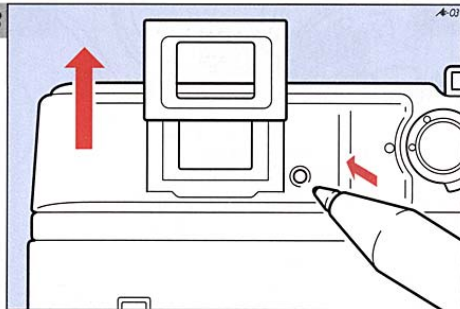
20



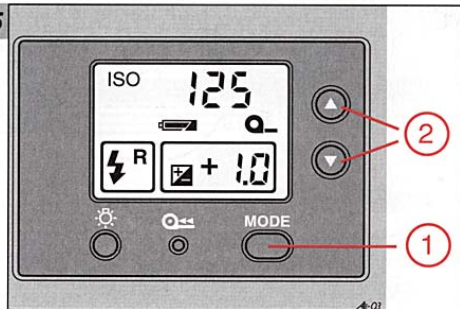
22



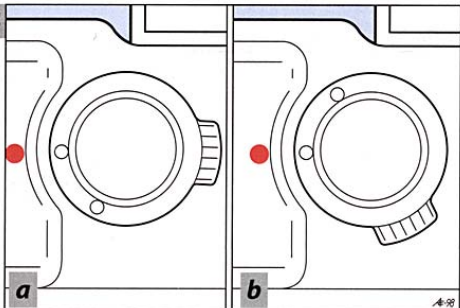
23



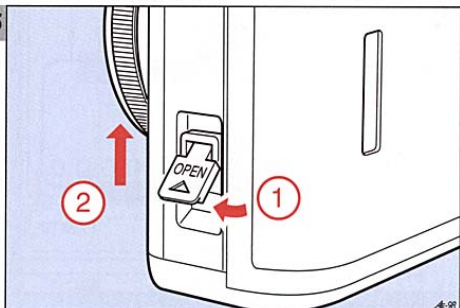
25



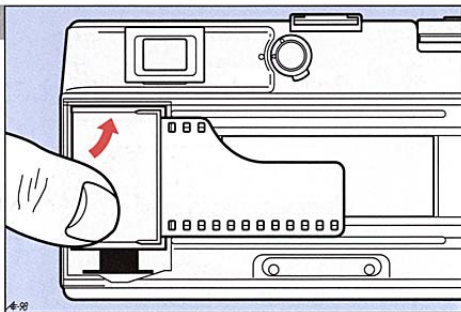
24



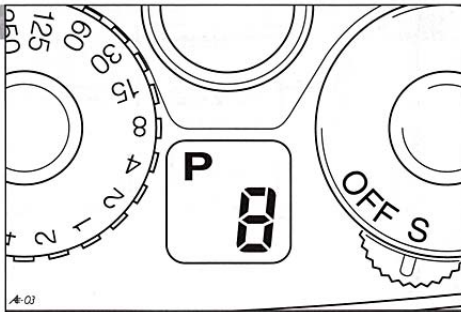
26



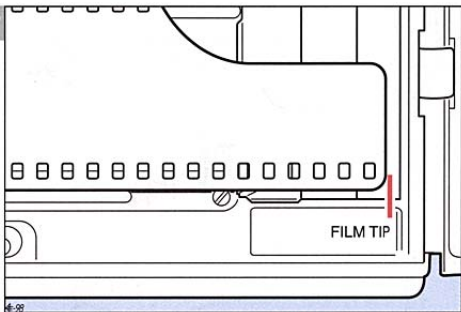
27



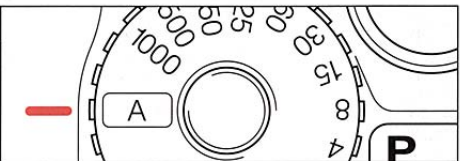
29



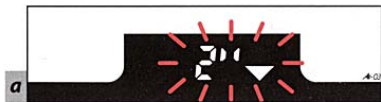
28



30

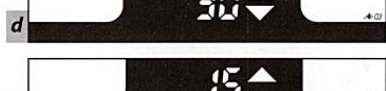


31



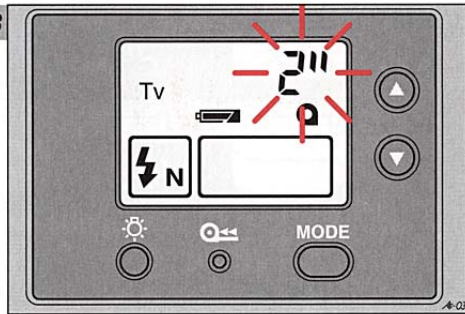
A
U
T
O

32

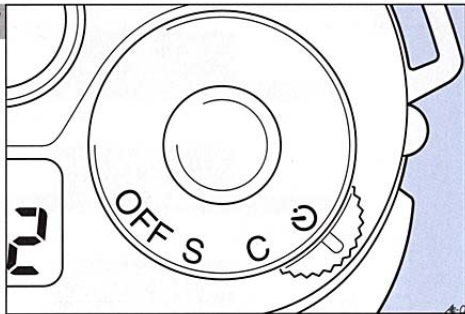


M
A
N
U
A
L

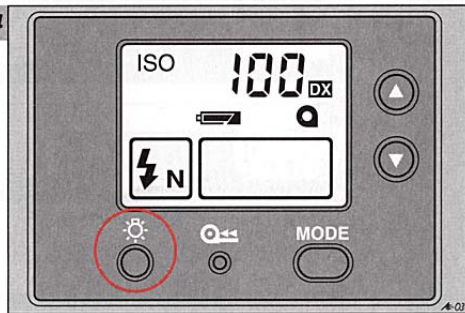
33



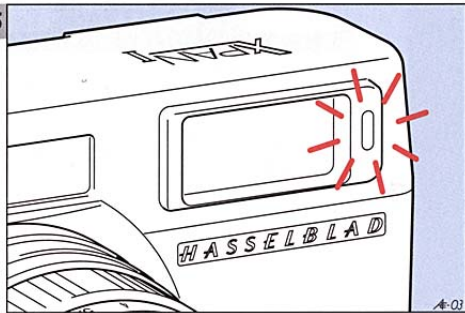
35



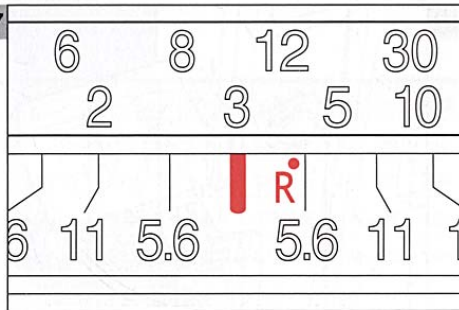
34



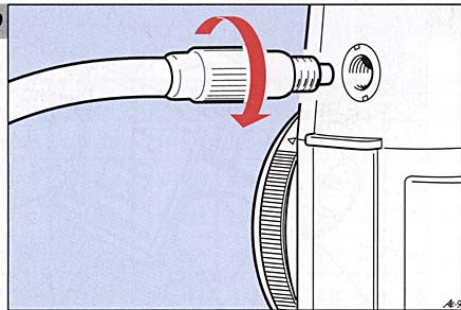
36



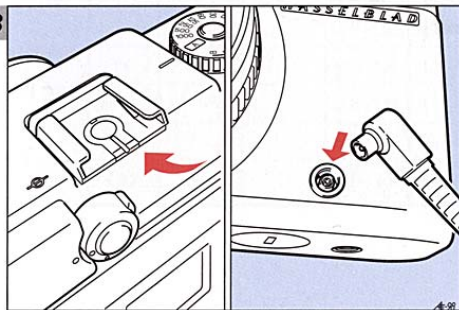
37



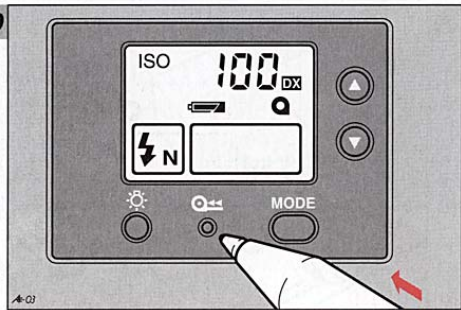
39



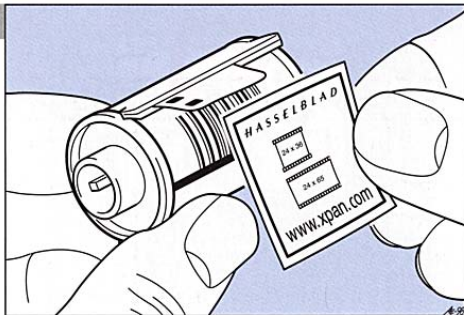
38



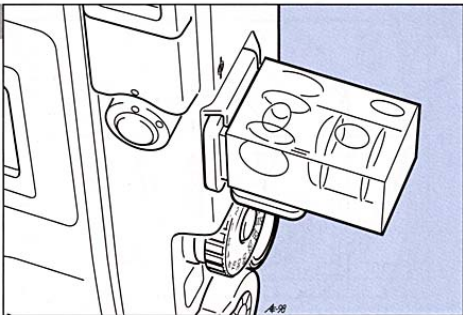
40



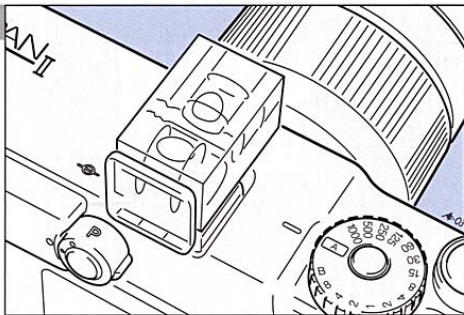
41



43



42



		0.7m	0.8 m	1.0m	1.2m	1.5m	2.0m	3.0m	5.0m	10m	∞
Hasselblad 4 / 45 mm	f4	0.67–0.73	0.77–0.84	0.95–1.06	1.12–1.29	1.38–1.65	1.78–2.28	2.53–3.70	3.79–7.35	6.09–28.3	15.3–∞
	f5.6	0.66–0.74	0.75–0.85	0.92–1.09	1.09–1.33	1.33–1.72	1.70–2.42	2.37–4.10	3.45–9.14	5.24–∞	10.9–∞
	f8	0.65–0.76	0.73–0.88	0.90–1.13	1.05–1.40	1.27–1.83	1.61–2.66	2.18–4.83	3.06–13.9	4.39–∞	7.71–∞
	f11	0.63–0.79	0.71–0.92	0.86–1.20	1.00–1.51	1.20–2.02	1.49–3.09	1.96–6.50	2.64–56.0	3.57–∞	5.47–∞
	f16	0.61–0.83	0.68–0.98	0.81–1.31	0.94–1.69	1.11–2.37	1.35–4.00	1.72–12.7	2.22–∞	2.82–∞	3.89–∞
	f22	0.58–0.90	0.64–1.08	0.76–1.50	0.86–2.03	1.00–3.14	1.19–6.92	1.47–∞	1.81–∞	2.19–∞	2.76–∞
Hasselblad 4 / 90 mm	f4			0.99–1.01	1.18–1.22	1.47–1.53	1.94–2.06	2.87–3.15	4.63–5.43	8.61–11.9	59.8–∞
	f5.6			0.98–1.02	1.17–1.23	1.45–1.55	1.92–2.09	2.81–3.21	4.49–5.64	8.14–12.9	42.5–∞
	f8			0.97–1.03	1.16–1.24	1.44–1.57	1.89–2.13	2.74–3.31	4.31–5.95	7.56–14.8	30.2–∞
	f11			0.96–1.04	1.14–1.26	1.41–1.60	1.84–2.19	2.65–3.46	4.08–6.47	6.87–18.5	21.5–∞
	f16			0.95–1.06	1.12–1.29	1.38–1.65	1.78–2.78	2.53–3.70	3.80–7.37	6.09–28.8	15.3–∞
	f22			0.93–1.09	1.09–1.33	1.33–1.72	1.71–2.42	2.38–4.10	3.46–9.20	5.25–136	10.8–∞



*Product no: Artikelnummer: Produktnummer: Código:
Code article: Tuotenumero: Cod: Artikelnr:
Número do Produto: Produkt nr:*

3014020 3014470

Victor Hasselblad AB, Box 220, S-401 23 Göteborg, Sweden

www.hasselblad.com